

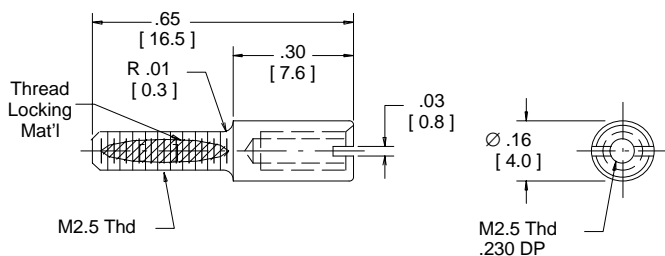
# .050" Mini D Ribbon (MDR) Connectors

I/O Mounting Hardware — Jacksockets

3341-XX Series

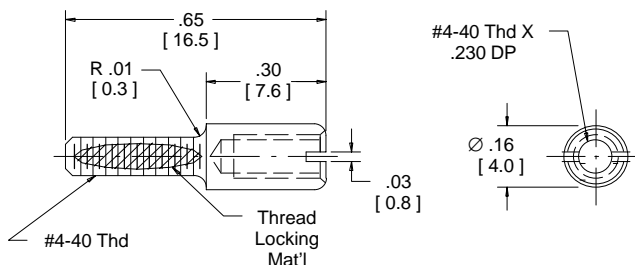
**3M Part Number**  
**3341-10**

Material: ST. Steel  
Plating: Passivated  
Thread Size: M2.5/M2.5  
Package Size: 200 Pieces



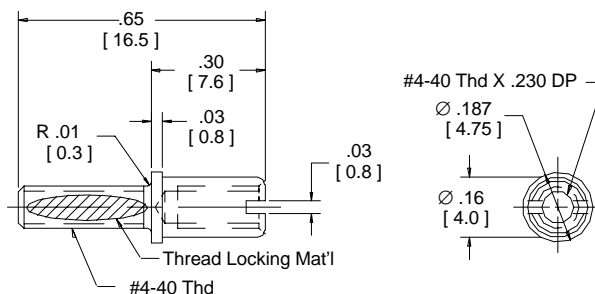
**3M Part Number**  
**3341-16**

Material: ST. Steel  
Plating: Passivated  
Thread Size: #4-40/#4-40  
Package Size: 200 Pieces



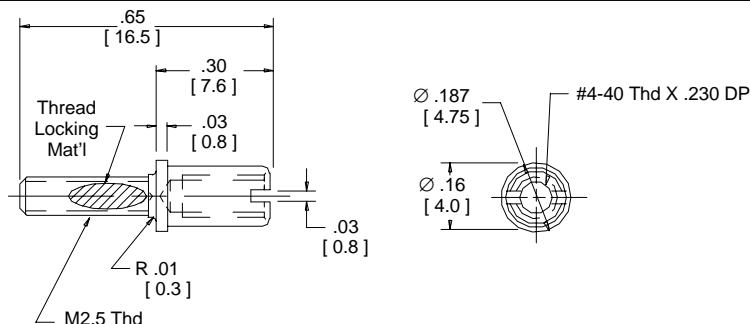
**3M Part Number**  
**3341-17**

Material: ST. Steel  
Plating: Passivated  
Thread Size: #4-40/#4-40  
Package Size: 200 Pieces



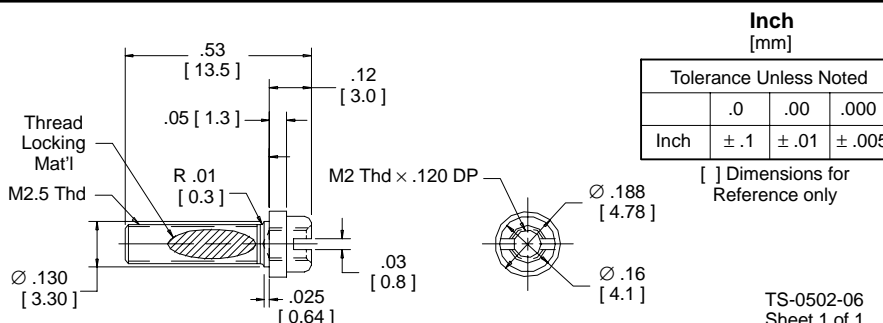
**3M Part Number**  
**3341-13**

Material: ST. Steel  
Plating: Passivated  
Thread Size: M2.5/#4-40  
Package Size: 200 Pieces



**3M Part Number**  
**3341-25**

Material: ST. Steel  
Plating: Passivated  
Thread Size: M2.5/M2  
Package Size: 200 Pieces



TS-0502-06  
Sheet 1 of 1

## 3M Interconnect Solutions Division

6801 River Place Blvd.  
Austin, TX 78726-9000

For technical, sales or ordering information call  
**800-225-5373**