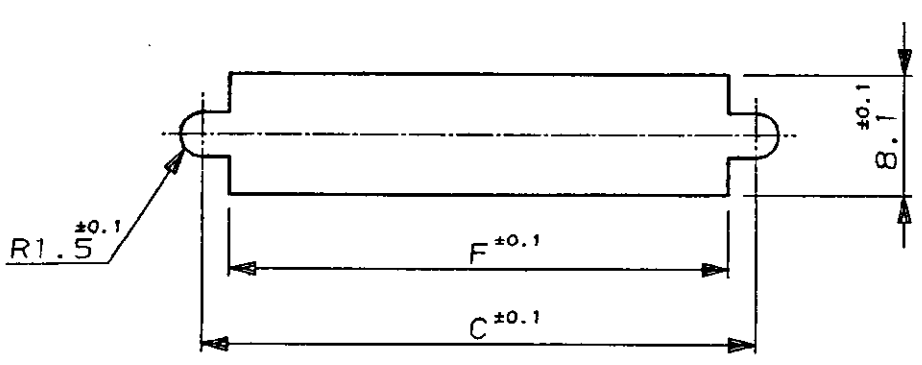
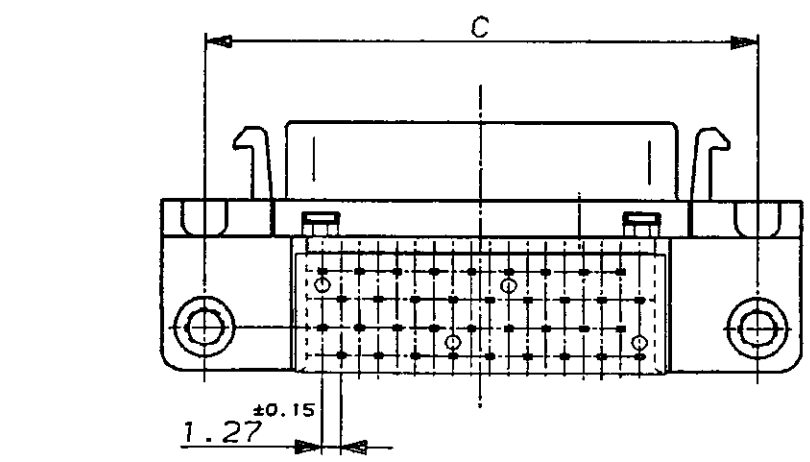
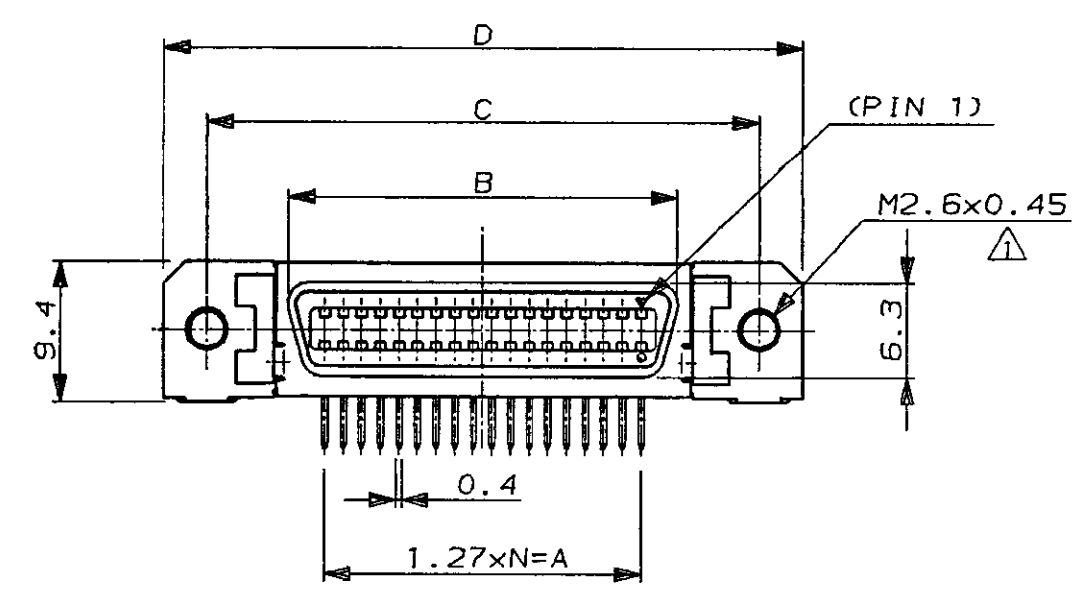
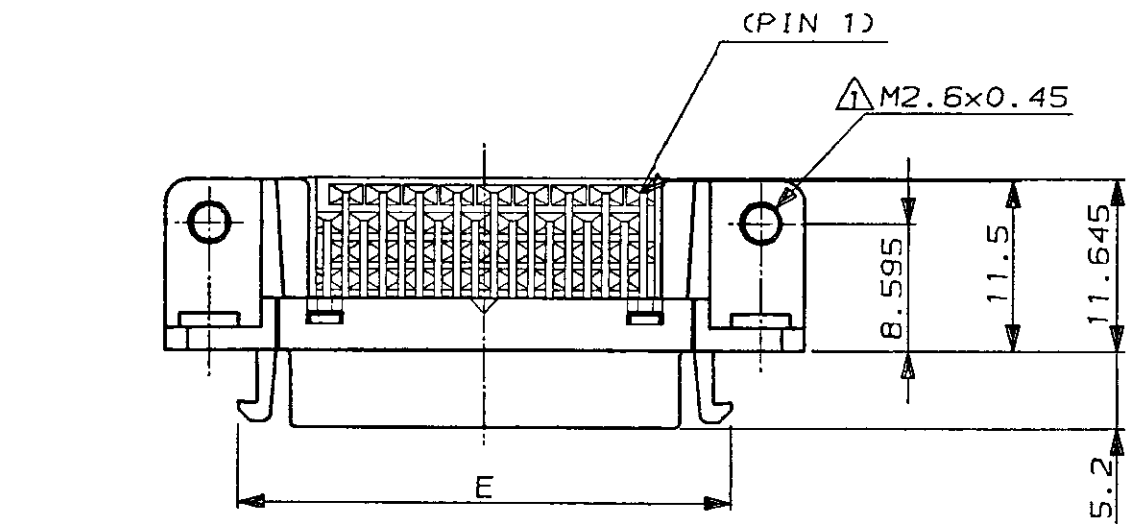


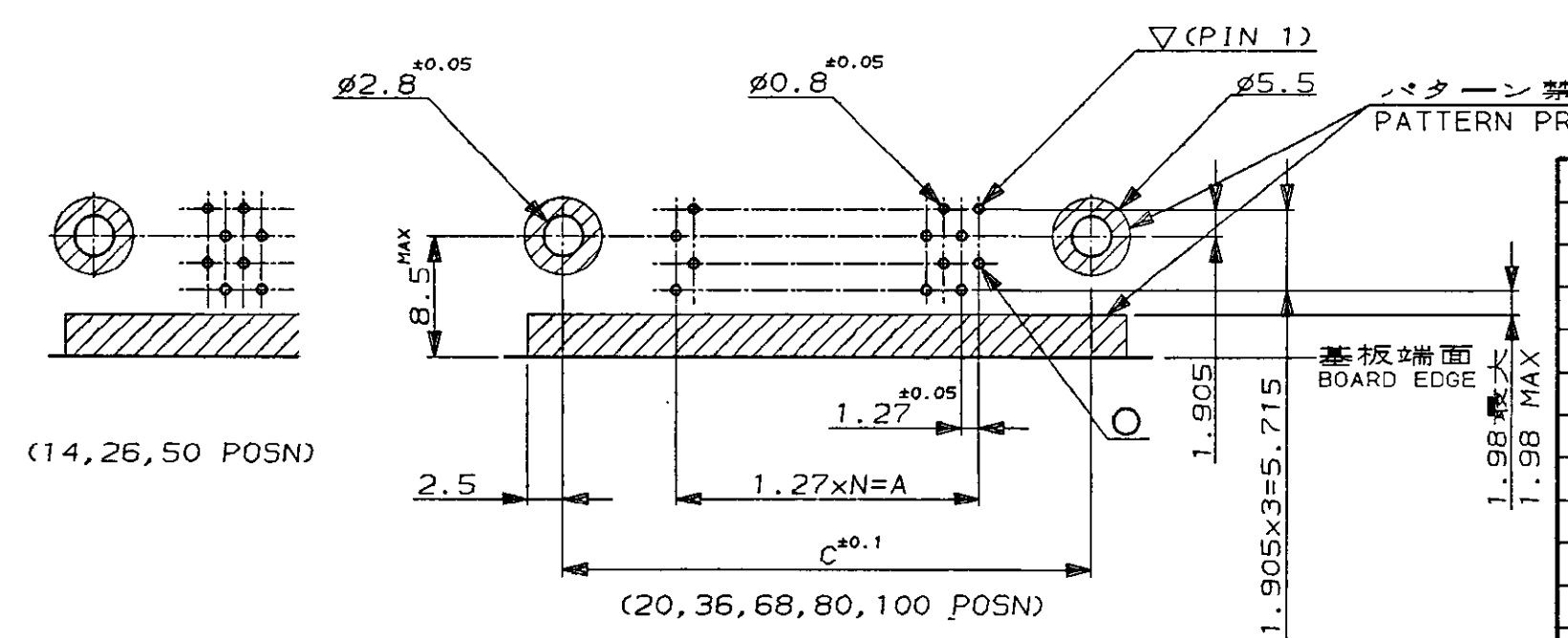
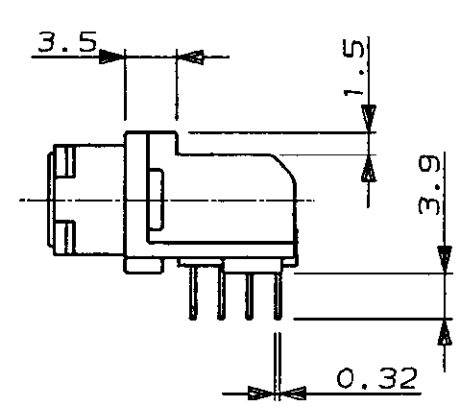
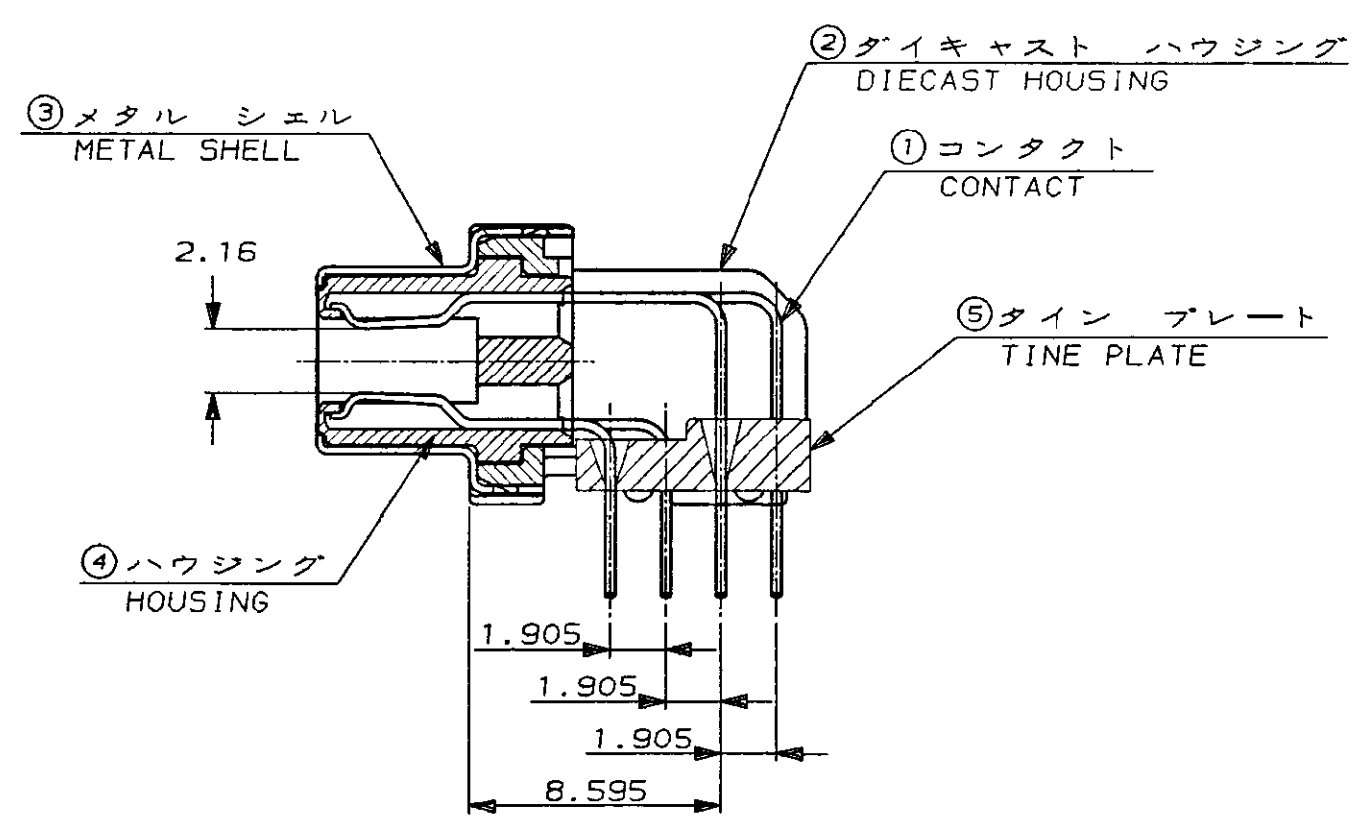
NUMBER C-176971
METRIC

PRINT DIMENSIONS IN MM. DO NOT SCALE PRINT
U. CHAMPOSO>U. STD-HDR>U. DWG

PRINT DIST
AMP-J
REV. 10/93



推奨パネルカット寸法
RECOMMENDED PANEL CUTOUT
(厚さ 2mm 最大)
THK, 2mm MAX



推奨基板穴あけ寸法
RECOMMENDED PC BOARD
MOUNTING DIMMENSION
コネクタ取付面
COMPONENT SIDE

ITEM	材 料 (MATERIAL)	仕 上 (FINISH)
①	銅合金 COPPER ALLOY	全面ニッケル下地めっき 接触部: 金めっき(0.3μ, 0.76μ以上) タイン部: 半田めっき NICKEL UNDER PLATE ALL OVER CONTACT AREA; Au(0.3μ, 0.76μ) SOLDER TINE AREA; TIN-LEAD PLATE
②	亜鉛ダイキャスト ZINC	ニッケルめっき NICKEL PLATING
③	鋼 t0.25 STEEL t0.25	銅下地めっき上にニッケルめっき NICKEL PLATE OVER COPPER UNDERPLATE
④	熱可塑性樹脂 (UL, 94V-0)	色: 黒 COLOR; BLACK
⑤	THERMO-PLASTIC	

NOTES

1. 通用ねじ; M2.6なべ小ねじ (L=5)
2. 推奨基板厚; 2.4mm (参考)
3. かん合相手コネクタ; 175677

注 記

1. 通用ねじ; M2.6なべ小ねじ (L=5)
2. 推奨基板厚; 2.4mm (参考)
3. かん合相手コネクタ; 175677

39	61.9	61.55	71.45	65.55	54.53	49.53	0.76μm	80	3-176971-0
49	74.6	74.25	84.15	78.25	67.23	62.23	0.76μm	100	2-176971-9
33	54.2	53.93	63.83	57.93	46.91	41.91	0.76μm	68	2-176971-8
24	42.8	42.50	52.40	46.50	35.48	30.48	0.76μm	50	2-176971-7
17	33.9	33.61	43.51	37.61	26.59	21.59	0.76μm	36	2-176971-5
12	27.6	27.26	37.16	31.26	20.24	15.24	0.76μm	26	2-176971-4
9	23.8	23.45	33.35	27.45	16.43	11.43	0.76μm	20	2-176971-2
6	19.9	19.64	29.54	23.64	12.62	7.62	0.76μm	14	2-176971-1
39	61.9	61.55	71.45	65.55	54.53	49.53	0.3μm	80	1-176971-0
49	74.6	74.25	84.15	78.25	67.23	62.23	0.3μm	100	176971-9
33	54.2	53.93	63.83	57.93	46.91	41.91	0.3μm	68	176971-8
24	42.8	42.50	52.40	46.50	35.48	30.48	0.3μm	50	176971-7
17	33.9	33.61	43.51	37.61	26.59	21.59	0.3μm	36	176971-5
12	27.6	27.26	37.16	31.26	20.24	15.24	0.3μm	26	176971-4
9	23.8	23.45	33.35	27.45	16.43	11.43	0.3μm	20	176971-2
6	19.9	19.64	29.54	23.64	12.62	7.62	0.3μm	14	176971-1
N	F	E	D	C	B	A	Au PLT.	POSITION	PART No.

Copyright ©1991 年 AMP (Japan) LTD. ALL RIGHTS RESERVED. AMP 株式会社 Tokyo, Japan

RECEPTACLE HDR ASSY (3.9mm) CHAMP .050 Series (1) STD-TYPE

B	REVISED (FJ00-1315-94)	S.T.Y.F.	22/SEP/94	材料 (MATERIAL)	仕上 (FINISH)	一般公差 (GENERAL TOLERANCE)	SIZE	LOC	番号 (No.)
A	REVISED (J-13138)	H.K.Y.F.	1/APR/91	SEE TABLE	SEE TABLE	10%以下: ±0.2 10%以上, 30%以下: ±0.25 30%以上, 100%以下: ±0.3	A2	J	C-176971
O	RELEASED (J-13027)	H.K.Y.F.	12/FEB/91	DR. H.KODAMA	DE. H.KODAMA	尺 度 (SCALE)	REV.	B	SHEET
LTR	変更 (REVISION RECORD)	DR	CHK	DATE	CHK.	Y.FUJITURA	2-1	1 OF 1	